

N5



Holy Cross High

Graphic Communication

Fore name

Surname

Total Marks 50

Attempt all questions.

All dimensions in mm.

All technical sketches and drawings use third angle projection.

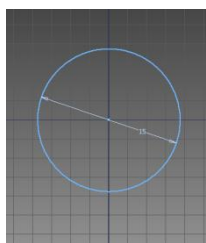
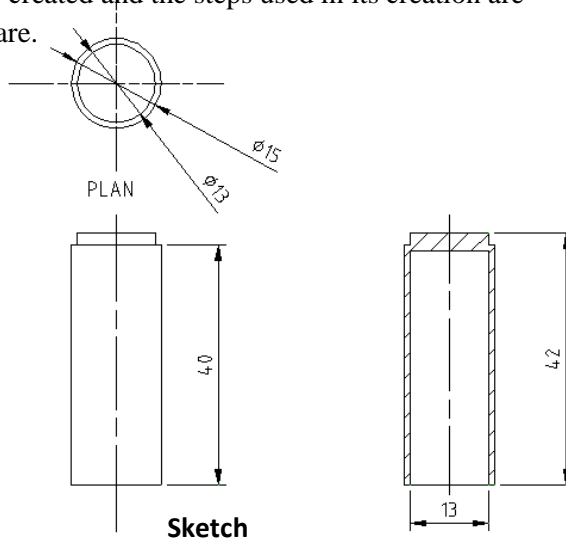
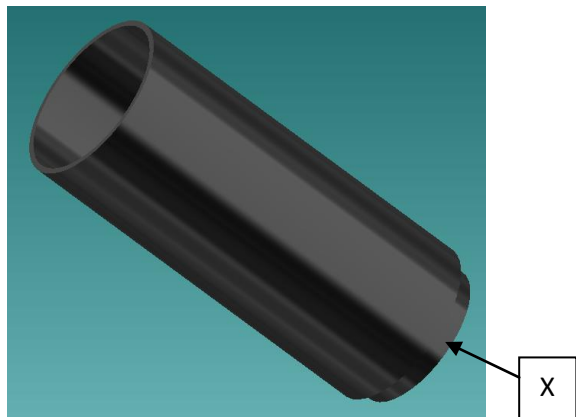
You may use rulers, compasses or trammels for measuring.

Use **Black** or **Blue** ink.

Before leaving the examination room you must hand this booklet to the invigilator.
If you do not you may lose all marks for this paper.

Total marks scored in this exam

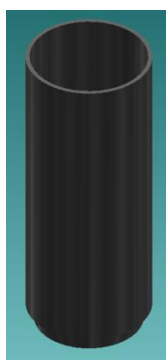
1. The top of a board marker, the sketch from which it was created and the steps used in its creation are shown below. It was created using 3D modelling software.



Step 1



Step 2



Step 3



Step 4

The first step in creating the model was to draw a circle of $\text{Ø} 15$ in sketch mode. Answer the following questions about the next steps using the sizes from the above **sketch**.

(a) State the correct modelling technique and size used to go from **step 1** to **step 2**.

Technique _____

Size used _____

2

(b) State the correct modelling technique used to go from **step 2** to **step 3**. _____

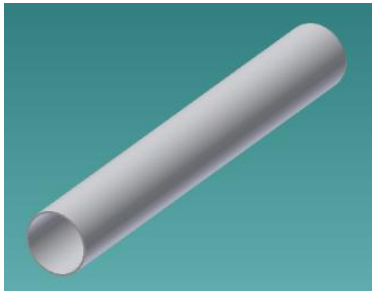
1

(c) In the completed model describe how you would add the raised feature shown at X and in **step 4** above. *You may use sketches to aid your description.*

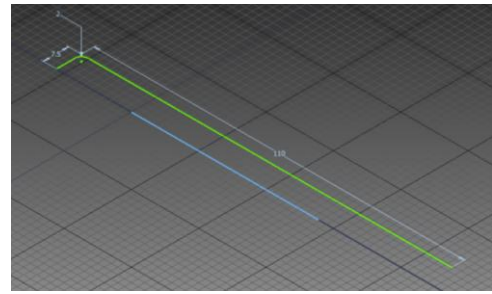
3

(d) The model of the body of the pen was created from the profile shown below.

model



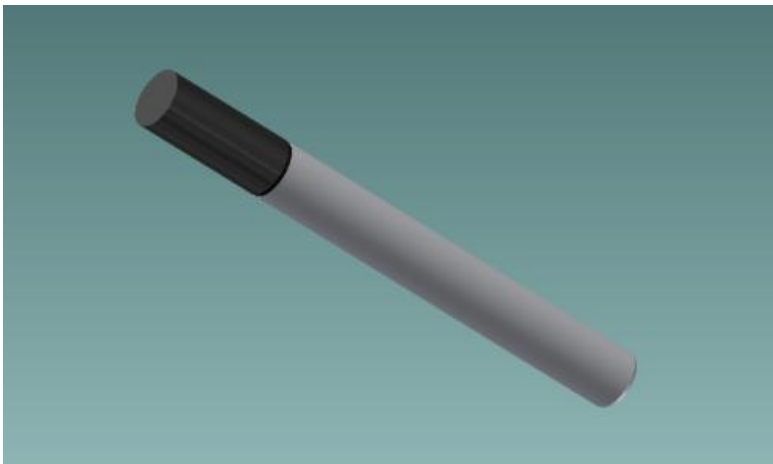
profile



State the modelling technique used to create the body of the pen. _____ 1

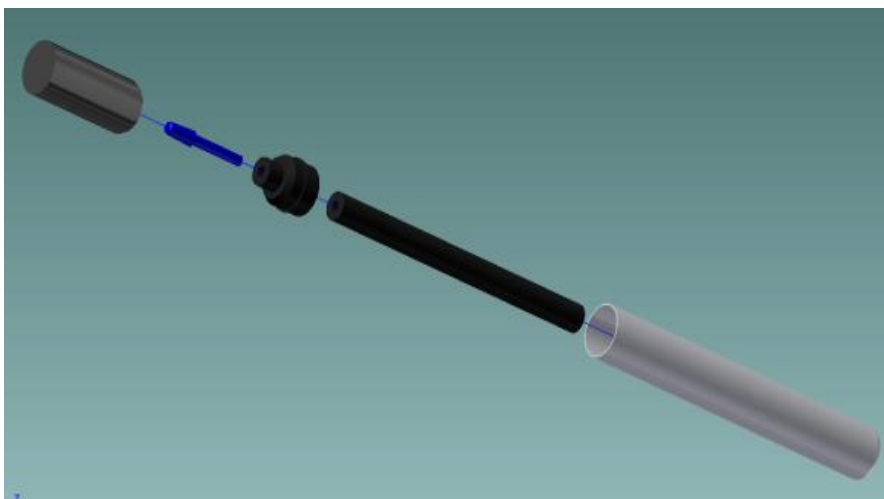
(e) After the body was created, the top and other parts were created. These were then brought together as the model shown below.

State the name given to this type of model. _____ 1

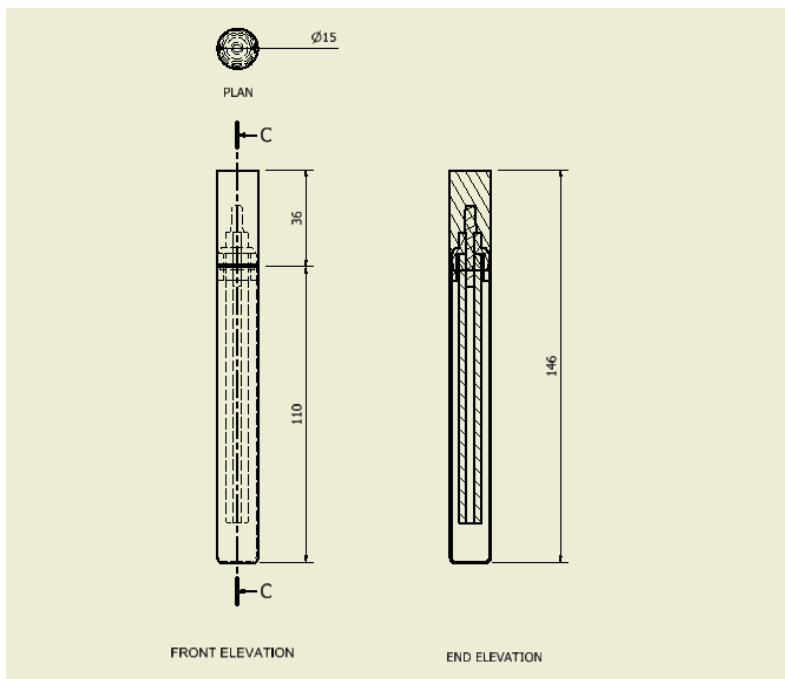


(f) It was decided that there would need to be a sales presentation created in order to market the pen. The model below was created to be used in this presentation.

State the name given to this type of model. _____ 1



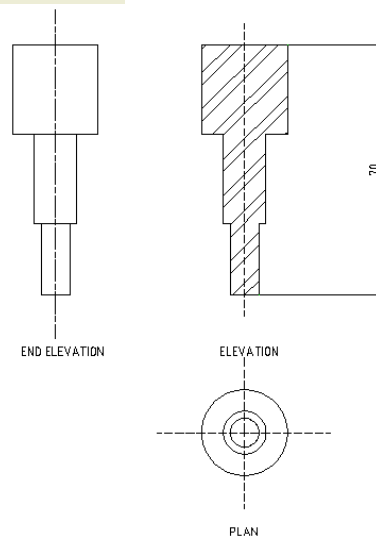
(g) State the name given to the type of drawings shown below. _____ 1



(h) When producing CAD work for your course it should have correct conventions and be in 3rd Angle orthographic projection.

Drawing A has many mistakes

State four errors contained in this attempt at producing such a drawing.



Drawing A

- (i) _____
- _____
- (ii) _____
- _____
- (iii) _____
- _____
- (iv) _____
- _____

4

Total Marks 14

2. Study the drawings shown below and answer the following questions.

MARKS

Do not write in this margin

(a) Identify the symbols **A**, **B**, **C** and **D** on **Drawing X**

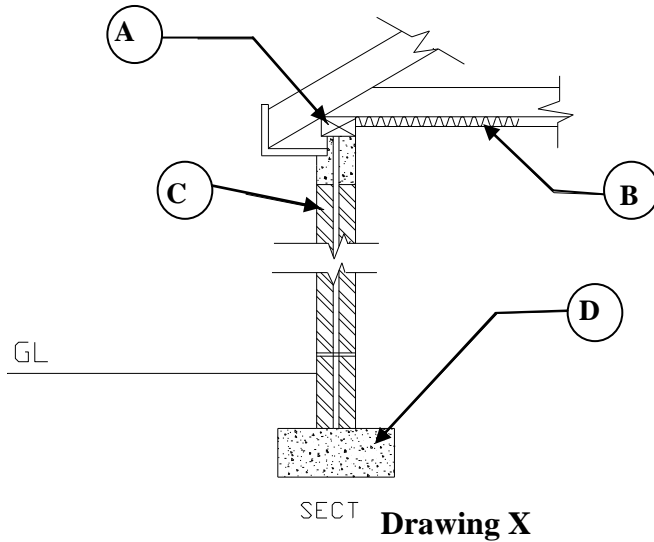
A.....

B.....

C.....

D.....

4



(b) Identify the symbols **E**, **F**, **G** and **H** on **plan Y**

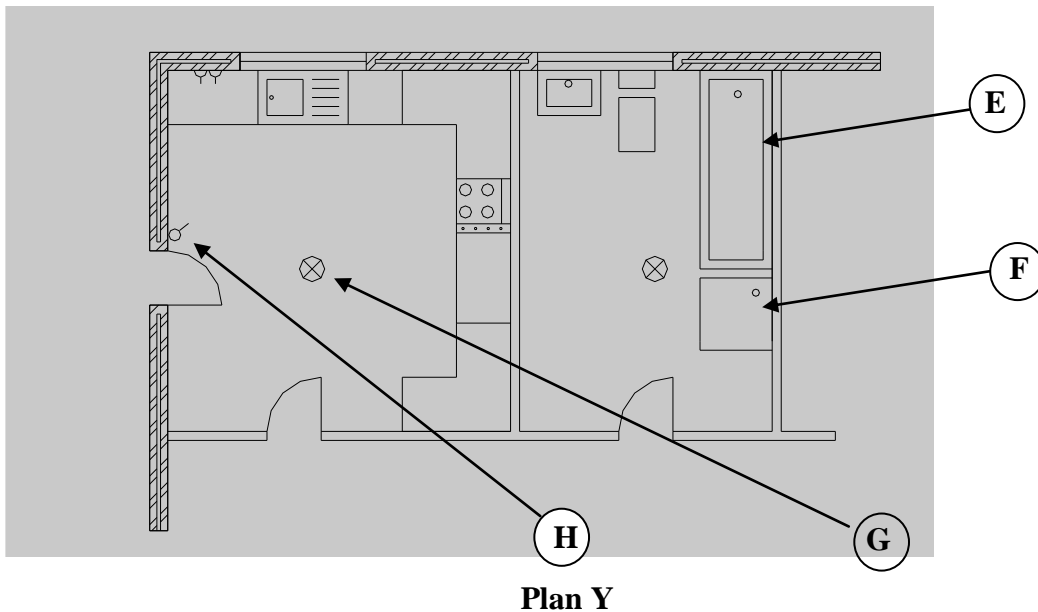
E.....

F.....

G.....

H.....

4



Plan Y

(c) Symbols like the ones above are drawn using BSi conventions.

MARKS

Do not
write
in this
margin

(i) State one advantage of using BSi conventions when producing drawings.

Advantage _____

1

These symbols can also be stored as part of a CAD library.

(ii) State one advantage of using a CAD library.

Advantage _____

1

(iii) Plan Y on the previous page is known as a Floor Plan.

State the names of two other types of plan used in the building industry

Plan _____

Plan _____

2

(iv) State a scale that could be used on a plan like this

Scale _____

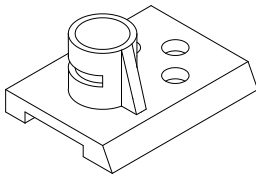
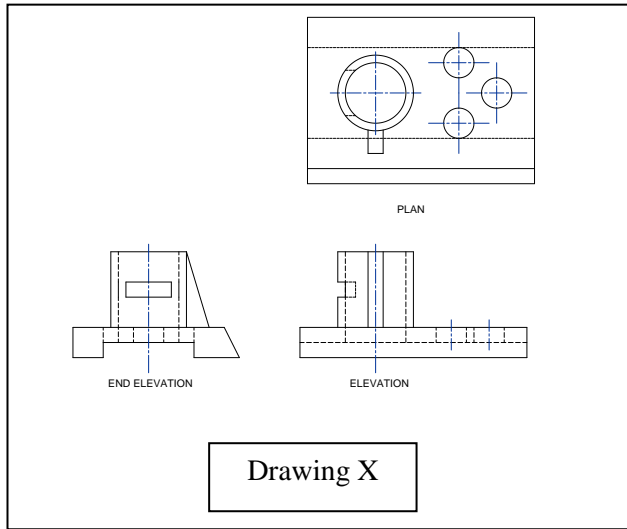
1

Total Marks 13

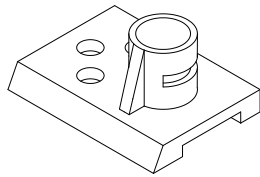
3.

MARKS

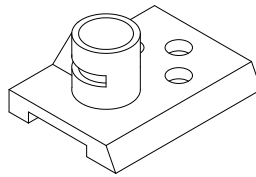
Do not write in this margin



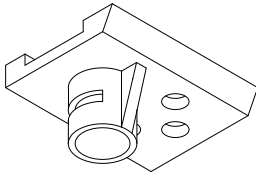
1



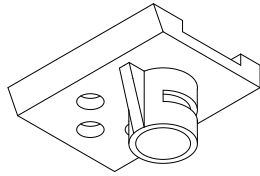
2



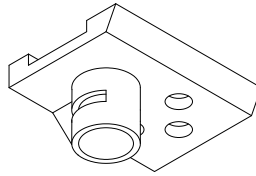
3



4



5



6

a) State which two of the pictorials 1 to 6 above represent the bracket shown in **Drawing X**.

Answer 1 _____

Answer 2 _____

2

b) State the name given to the types of pictorial shown above.

Answer _____

1

c) State the names of two other types of pictorial that could have been used to draw the bracket

1 _____

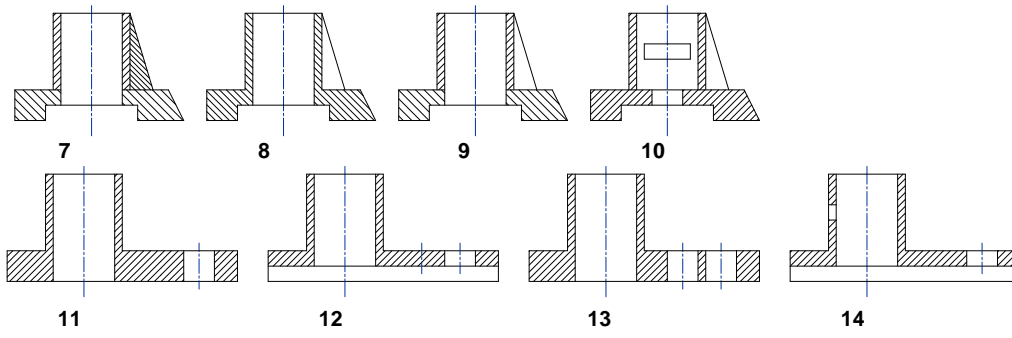
2 _____

2

d) Eight sectional views 7 to 14 are given below

MARKS

Do not write in this margin



State which two are correct sections of the bracket.

Answer 1 _____

Answer 2 _____

2

Total Marks 7

4. The two different documents shown below were produced using DTP software

A → [Woman's face]

B → [REALLY EASY headline]

MARKZWARE

REALLY EASY

Are you currently slaving away migrating all your content? Because, whether you are working on Windows® or Macintosh®, Adobe® Microsoft® or QuarkXPress® moving any data back and forth is difficult. Not to mention all the re-formatting!

If you want to save time and big headaches, use Markzware conversion tools. Believe me, this software makes it easy to move your data and it's much faster than re-creating it from scratch. So, the next time you are slaving away with content, work easy and think MARKZWARE.

CONVERSION TOOLS FOR DESIGNERS, PRINTERS & PUBLISHERS ID2Q, PUB2ID, Q2ID, and MARKZTOOLS

CALEB CLAUSET | 2C Design
"Q2ID is truly an amazing piece of engineering and the simplicity of use (File > Open, done) is great... (It's) the best \$200 I spent. Paid for itself the day I bought it. Can't get a much better ROI than that."

JOIN OUR AFFILIATE PROGRAM TODAY!

markzware.com/conversions **MARKZWARE**

Document 1

C → [Text on Page 4]

D → [Gutter between pages]

E → [Avocado image on Page 5]

F → [Page 5 footer]

Settling the Stage
I have the most famous...
Dreams are like paper, they tear so easily.
—Little Red

Green Theory
I have the most famous...
So often is the virgin sheet of paper more real than what one has to say, and so often one regrets having married it.
—David Byrne

I Challenge You:
take one eco-step within a month of reading this article to modify your habits and the materials you use every day in your professional lives.

Page 4

Page 5

Document 2

(a) State the DTP term for each of the features A-F shown on documents 1 & 2

A _____ **B** _____

C _____ **D** _____

E _____ **F** _____ **6**

(b) When designing DTP documents you should think about the principles for an effective display.

(i) State one way in which **contrast** has been used in **Document1**

_____ **1**

(ii) State how **Dominance** has been used in **Document1**

_____ **1**

Total Marks 8

5 (a) A new fairground attraction should be bright and highly visible with lots of contrast.

MARKS

Do not
write
in this
margin



Red was chosen as one of the colours, state two colours that could be used with red to create this scheme.

Colour _____ Colour _____ 2

(b) A new public library should create a sense of peace and harmony.

Green was chosen as one of the colours, state two colours that could be used with green to create a scheme

Colour _____ Colour _____ 2

(c) State the effect of decorating a room in an advancing colour.

Effect _____
_____ 1

(d) State the effect of decorating a room in a receding colour.

Effect _____
_____ 1

(e) State one advancing and one receding colour that could have been used for the room.

Advancing _____ Receding _____ 2

Total Marks 8